
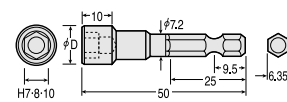
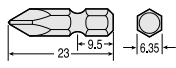
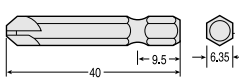
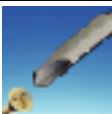

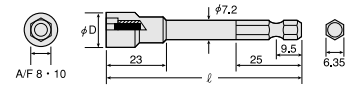

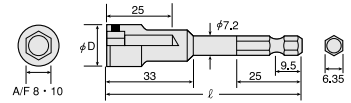

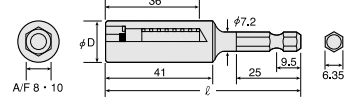



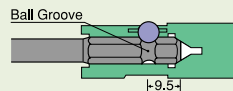
For Pneumatic and Electric Power Bits (Type B)

Shape	Model No.	Size Tip×Overall Length (ℓ)	Heat treatment classification	Inner Ctn.	Outer Ctn.	Applicable models
 H6.35mm						
6.35mm ● 	B45-5	A/F 7× 50	O.D.φ13	10	200	Available on all B35 types
		8× 50	13	10	200	
		10× 50	16	10	150	
6.35mm ● 	B39	⊕ 1× 23	H	10	100	VESSEL GT-H4RC · H5RC · S6CD · PLRC Uryu US-3,5ACB · 4CA · 5CA · LT30B-11C · 17C · LT40B-06C · 05C · 15C Utani D-6WHCL Yokota YD-6AL YX-280CA · 500CA
		⊕ 2× 23	H	10	100	
3-Flute Fastening Bit 6.35mm ● 	B39	TW1× 40	—	10	100	 3-Flute Fastening Bit For fastening screws used with aircraft, special vehicles, etc.
		TW2× 40	—	10	100	
		TW3× 40	—	10	100	
		TW4× 40	—	10	100	
		TW5× 40	—	10	100	
 H6.35mm						
6.35mm ● 	MB45 Magnet	A/F 8mm × 75	O.D.φ13	10	100	Available on all B35 types  The magnetic tip securely holds the bolt/nut, to improve workability and prevent screw loss in engine rooms, etc. Magnetic Press-Fit Type
		A/F 8mm × 100	13	10	100	
		A/F 10mm × 75	16	10	100	
		A/F 10mm × 100	16	10	100	
6.35mm ● 	MB45S Side Magnet	A/F 8mm × 100	13	10	100	 Side Magnet Type
		A/F 10mm × 100	16	10	100	
6.35mm ● 	MB45D Sliding Magnet	A/F 8mm × 100	13	10	100	 Sliding Magnet Type
		A/F 10mm × 100	16	10	100	

● For the order, specify the Model No., size, heat treatment class and quantity.
 Ex.) B43 ⊕2×50H 100 pcs.

■ Connection of a bit and a power tool

The size of a bit clamping part is determined in consideration of the installed condition of each power tool.



TYPE 6.35mm ●

B45-5, B39, MB45, MB45S, MB45D