

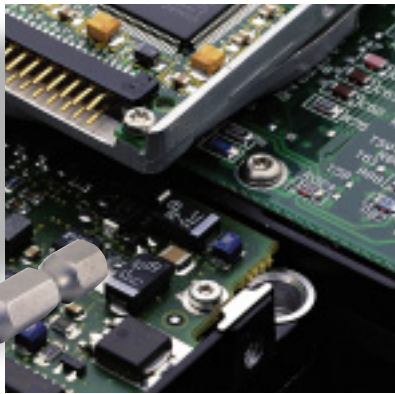
**TORX SCREWDRIVERS/  
SCREWDRIVER SET**

TORX screws, less fastening/releasing torque requires compulsory TORX tools.



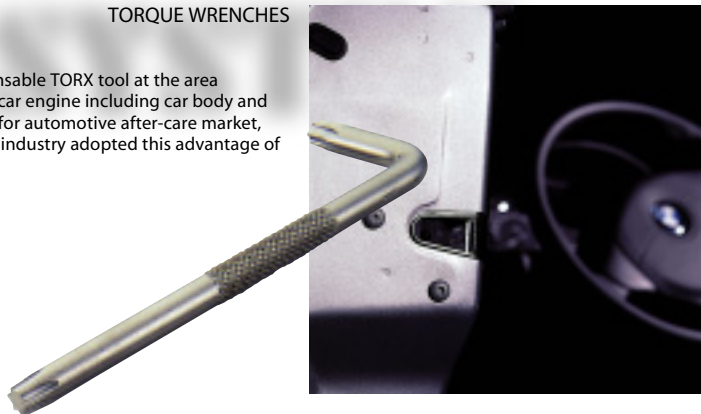
**TORX POWER BITS**

For TORX screws used at HDD of computers, communication equipment and other latest high-tech devices. More micro TORX screws are applied.



**TORQUE WRENCHES**

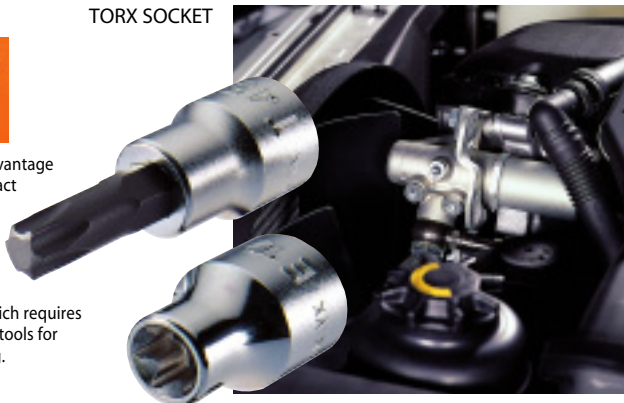
Indispensable TORX tool at the area around car engine including car body and the like for automotive after-care market, the first industry adopted this advantage of TORX.



**TORX SOCKET**

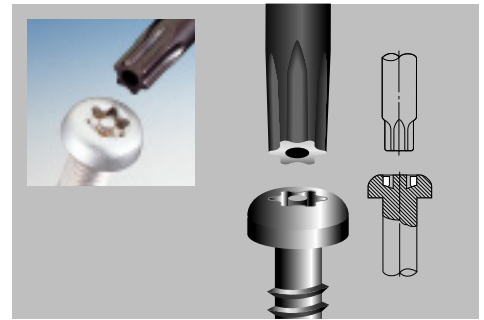


TORX screw, the advantage of considerably compact screw head in the same screw size contributes to the savings of fastening and lightweight which requires only small and slim tools for maximum fastening.



**TAMPER-PROOF TORX SYSTEM**

Added function of "Never Touch Screw" a post in the middle of the recess for maximum security eliminates regular TORX driver or any other flat screwdrivers for safety. Tamper proof screws are mostly used at communication equipment and computers so as not to abuse the screwing/unscrewing due to its design and control of function. Keep off unscrewing unless otherwise maintenance servicing practiced. (Marking "H" identifies Tamper proof and optional on larger size than T7.)



**EXTREMELY PRACTICAL  
"TAPERED TORX"  
CONFIGURATIONS**

When in not use of magnetic aid, this tapered TORX contributes perfectly to avoid "Drop-off" so this "grip the screw" is even advantaged than just the magnetic which may damage the electronic circuit. This precision design offers unconventional advantages. (Adopted this configurations with our "L" wrench set. Optional with other TORX tools.)

