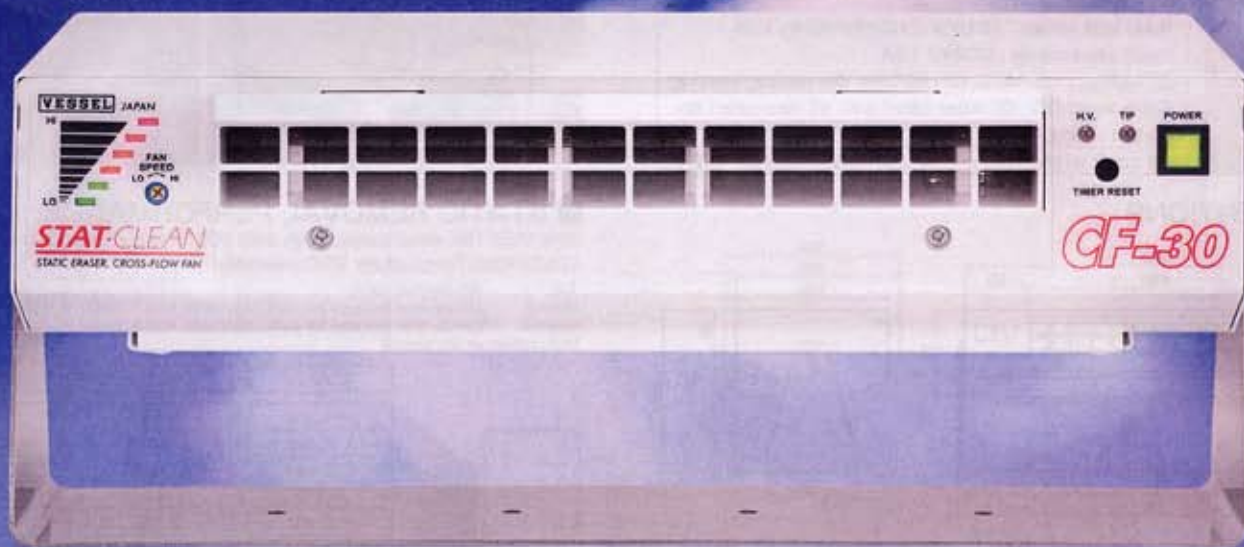


VESSEL
your solution partner

An ionizer with the best performance in its class.

Featuring excellent ion balance and the fastest static elimination

Newly developed: VESSEL ionizing blower with Cross-Flow Fan and capacity-coupled needle electrode units provide high-speed static removal.



Fully-loaded with advanced features;

- Newly developed capacity-coupled electrode needles provide excellent ion balance and high-speed static elimination.
- Highly reliable piezoelectric AC pulse system guarantees optimum ion balance.
- Compact and space-saving design makes it perfect for attachment to cell production workbenches.
- LED meter displays the operating fan speed, which can be fine-tuned by the continuously variable control screw.

STAT-CLEAN **CF-30**

The Cross-Flow Fan



The capacity-coupled electrode needles provide excellent ion balance.



Designed for maximum safety and ease of maintenance

- Its low-voltage 24V DC power supply minimizes electrical leakage and interference with nearby devices.
- An easy to attach and remove front cover. ※The front cover is fixed to the unit with shipping screws prior to use.
- The unit automatically turns the power off when the front cover is removed.
- The electrode needle unit can be detached together with its front cover allows for easier maintenance. This allows the user to clean the electrode needles without contaminating the work environment.
- Warning LED indicator notifies you when the fan stops or abnormally high voltage is detected.
- This unit incorporates an accumulative operation timer. It notifies the user for regular needle cleaning every 200 hours. ※The timer function can be turned off.

SPECIFICATIONS

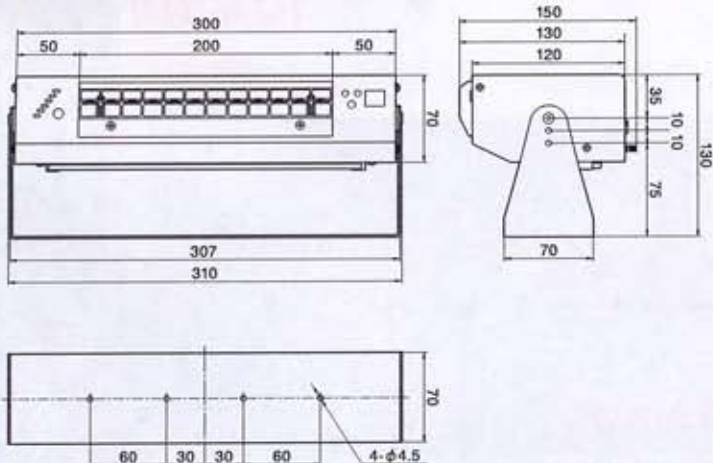
Model	CF-30
Ion generation method	High voltage DC corona discharge
Power supply voltage	AC9.0kV (p-p)
Input voltage	DC24V±5% 1.2mA (max.)
Dimensions	H130×W310×D150 mm : stand included
Weight	2.1kg
Fan speed	1.58r/min (Max. fan speed)
Noise emission	53dB(B) Max. fan speed (Measured at 1m)
Ozone generation	Less than 0.05ppm (Measured at 50mm)
Working ambient temperature / humidity	0~40°C / 35~65%RH (No dewing/freezing)
Distance from target area	150~900mm
Decay time	Please refer to the performance chart
Ion balance	Within ±5V (Measured before shipping, Measured distance: 300mm)
Alert warnings	High voltage stoppage(Red LED), Fan lock stoppage (All fan-speed LEDs blink)
Protective functions	Monitoring function against fan stoppage, Automatic shutoff against abnormally high voltage Automatic shutoff when the front cover is removed, Cleaning timer function
ACCESSORIES	Transformer AD24-ITCF (Rated input voltage : AC100V-240V(50/60Hz) 1.2A Rated output voltage : DC24V 1.5A Working ambient temperature / humidity : 0~40°C 10~85%CRH (No dewing/freezing) Cable length DC : DC output cable:1.8 m , AC input cable:1.8m Weight : 155g)
Replacement unit	Front cover w/electrode needles (CF-30H), Filter (CF-30F)

Installing CF-30 to the top of the cell production workbench to ensure a static-free work space

Installing CF-30 to the machinery to remove unwanted static charge from parts and work pieces in production.



DIMENSIONS



STATIC REMOVAL PERFORMANCE

CPM:TREK 158, which complies with ANSI EOS/ESD S3.1, was used for measurement.

CONDITIONS:Temperature: 25°C Humidity: 50%

Top: Ion balance value
Middle: Decay time required for static discharge from +1000V to +100V
Bottom: Decay time required for static discharge from -1000V to -100V (with maximum fan speed)



※The measured values are based on the data obtained through tests conducted in our laboratory. It is expected that the figures may vary to some extent depending on the environment.



- Read the instruction manual carefully before use.
- Do not use this unit in environments that require explosion-proofing.
- Do not wet with water, oil, solvent, etc. as this unit applies high voltage.

- Prevent dew condensation as it can cause electric shock and product breakage.
- Do not touch the electrode needles as they are applied with high voltage. Also keep your operation tools and wirings away from the unit.

For improvement, the above specifications and measurements are subject to change without notice.

Manufactured by
VESSEL CO., INC.

17-25, Fukae-Kita 2-chome,
Higashinari-ku, Osaka 537-0001 Japan
Tel : +81 6 6976 7778 Fax : +81 6 6972 9441
E-mail : export@vessel.co.jp
URL : http://www.vessel.jp

Distributed by

Printed in Japan